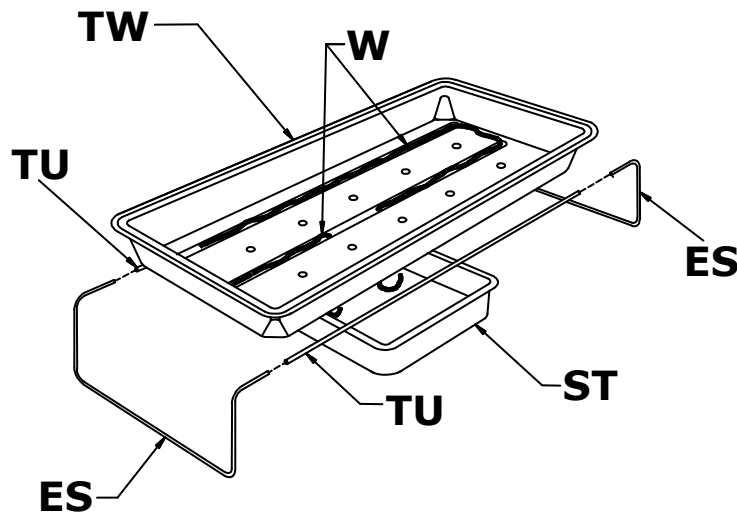


MOISTRITE ASSEMBLY INSTRUCTIONS

Code	Parts List	GS42
TW	Tray for wicks	1
W	Wick	2
ST	Small Tray	1
ES	End Support	2
TU	Tube	2

1. Assemble Tray Stands by inserting ends of legs **ES** into tubes **TU**.
2. Insert taped ends of wicks **W** into holes of tray **TW**, pulling approximately 6 inches through the bottom. Remove tape.
3. Place tray with wick **TW** on the Tray Stand **ES&TU**.
4. Place small tray **ST** underneath the Tray Stand **ES&TU**.
5. Put the wick into the small tray **ST**.



General Information Wick Watering

Although it is impossible to design an automatic watering system that suits all plants, the wick watering system is suitable for most plants. When first using your moistrite, follow these simple guidelines for the most success:

- ◆ Fill the small reservoir to 1/2 full and set it under the wire base. Place the wick into the water, making sure it touches the bottom of the tray.
- ◆ Arrange the wick so that it is evenly distributed, as shown. Place one inch of potting soil into the bottom of the tray, covering the wick. Moisten the soil to start the wicking process.
- ◆ Check the soil wetness periodically until a watering cycle can be established.