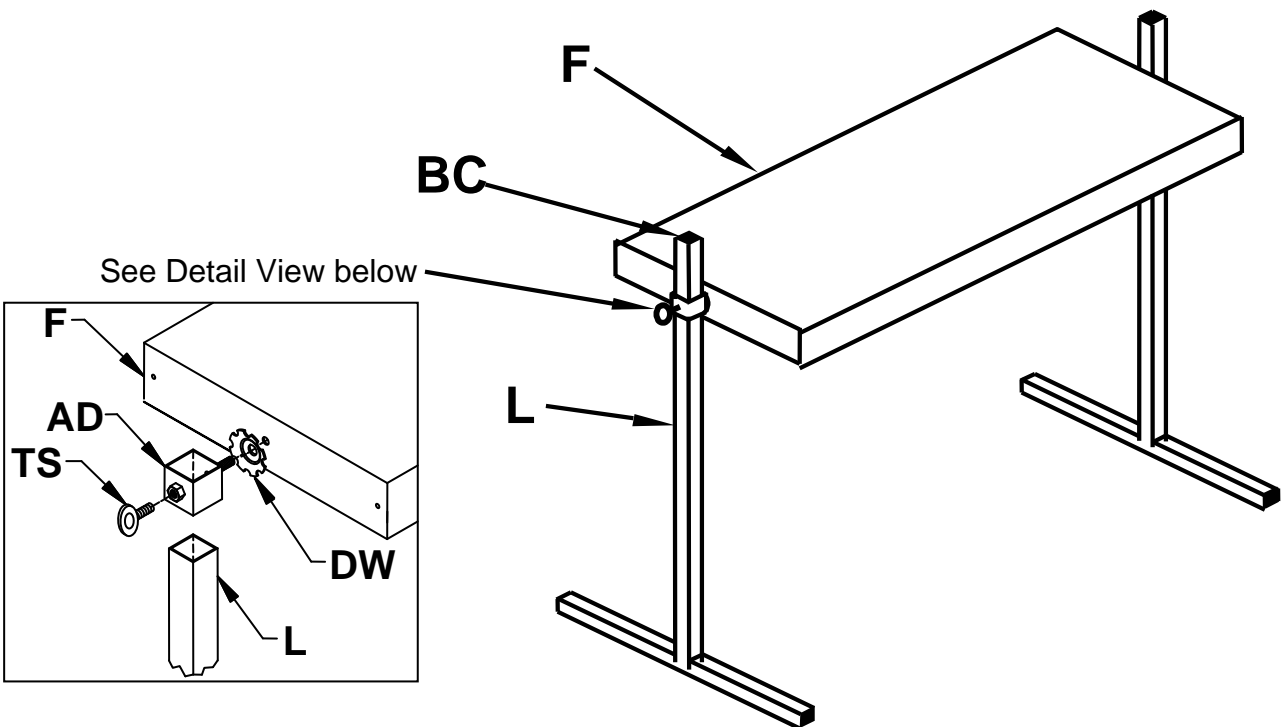


## TABLE TOP LIGHT FIXTURES

CODE	PART	QTY
<b>F</b>	Fixture w/lamps	1
<b>L</b>	Legs	2

KIT PARTS		
<b>AD</b>	Adapter	2
<b>DW</b>	Dome washer	2
<b>TS</b>	Thumb Screw	2
<b>B</b>	Black caps	6

1. Insert the black caps **B** in the ends of the legs **L**.
2. Place a dome washer **DW** on threaded stud of an adapter **AD**, large end toward adaptor **AD**, as shown.
3. Screw the adapter threaded stud into the threaded hole on the end of the fixture **F**, until snug. **Do not loosen the adaptor to line it up.** Insert the leg **L**, to use as a lever, and tighten the adaptor, **up to 1/2 turn**, to align as shown.
4. Repeat steps 2 & 3 on other end of fixture **F**.
5. Insert long end of leg **L** thru adapter **AD** from bottom side of fixture **F**.
6. Screw thumb screw **TS** into threads of adapter **AD**. Adjust leg to desired height and tighten thumb screw **TS**.
7. Repeat steps 5 & 6 on other end.
8. Install the lamps.



**TO PREVENT ELECTRICAL SHOCK: DISCONNECT ALL ELECTRICITY BEFORE WATERING YOUR PLANTS.**

**FOR USE WITH TT215, TT220, TT240 & TT420**

# IMPORTANT - READ FIRST!

## LAMP INSTALLATION

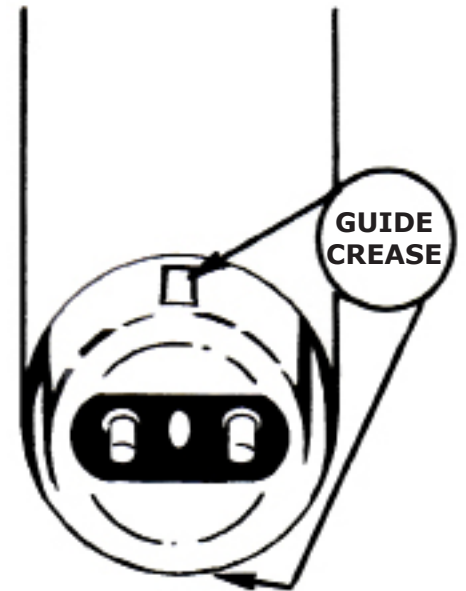
**ALL FIXTURES ARE TESTED PRIOR TO SHIPPING. Please read instructions below for proper lamp installation.**

Rapid start fluorescent bi-pin lamps must be seated properly into the lamp socket making a good connection.

### How to install lamps correctly:

Each bi-pin lamp has two "guide creases" on the metal cap at each end of the fixture. These guides are there to help you align the lamp correctly in the socket. When installed correctly one crease on each end of the lamp will be visible and lined up directly in the center of the lamp socket opening.

Gently set the lamp into the lamp holder sockets until the lamp pins rest on the lamp socket. Gently turn the lamp approx ¼ turn either clockwise or counter clockwise until the lamp socket makes a small click or you feel the lamp go into position. Gently lift up on the lamp to make sure that both ends are installed correctly. The guide creases on the lamps should be lined up exactly with the opening in the lamp socket.



Although the lamp can be turned further into the fixture which feels like it is secure, the lamp has actually turned too far in the socket. Back off the lamp slightly until the guide creases are lined up with the opening in the lamp socket.

Lamps may start if improperly seated which may result in excessive end blackening and shortening of lamp life.

If lamps worked when the fixture was on and now do not work after turning off and back on again, check to make sure the lamps are still in the correct location.

If swirling or flickering occurs, lamp and/or fixture may be below normal operating temperatures. Let run a few minutes, turn fixture off and then back on again.

Sometimes during shipping the filaments in the lamps or the bi-pins may break. Inspect the lamps. All that may be needed is a new lamp.

