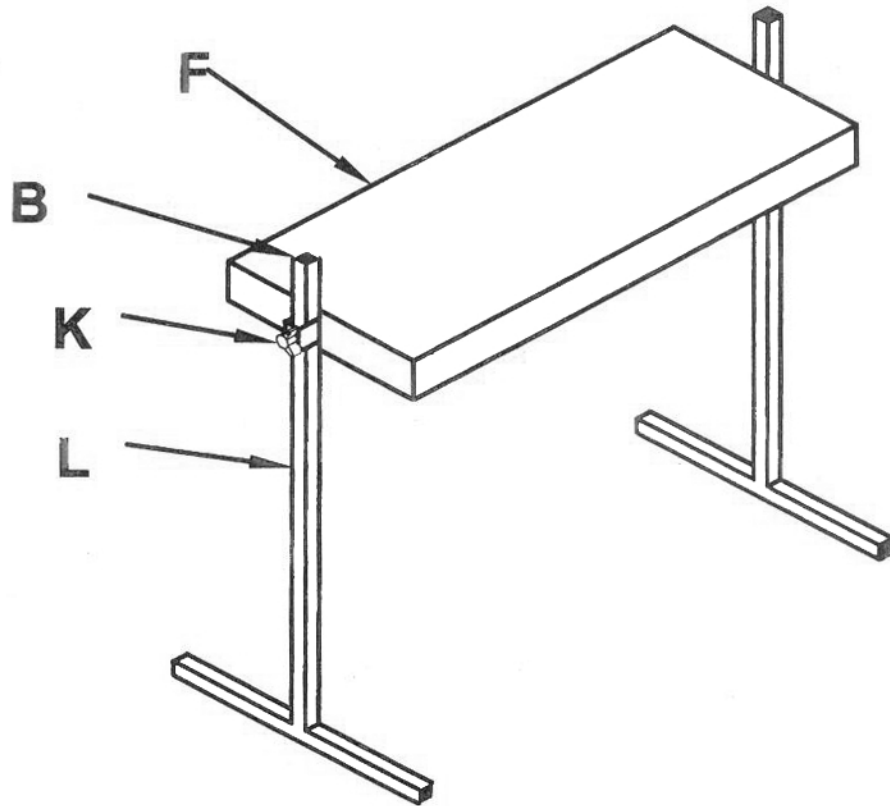


TABLE TOP FIXTURE

CODE	PART
F	Fixture
K	Knob, on fixture
BC	Black caps
L	Legs

1. Insert the black caps **BC** in the ends of the legs **L**.
2. Loosen the knobs **K** and insert the legs **L** through the bracket on the end of the fixture **F**.
3. Position the fixture **F** at desired height and tighten the knobs **K**. Do not over tighten.
4. Install the lamps.



**TO PREVENT ELECTRICAL SHOCK:
DISCONNECT ALL ELECTRICITY BEFORE
WATERING YOUR PLANTS.**